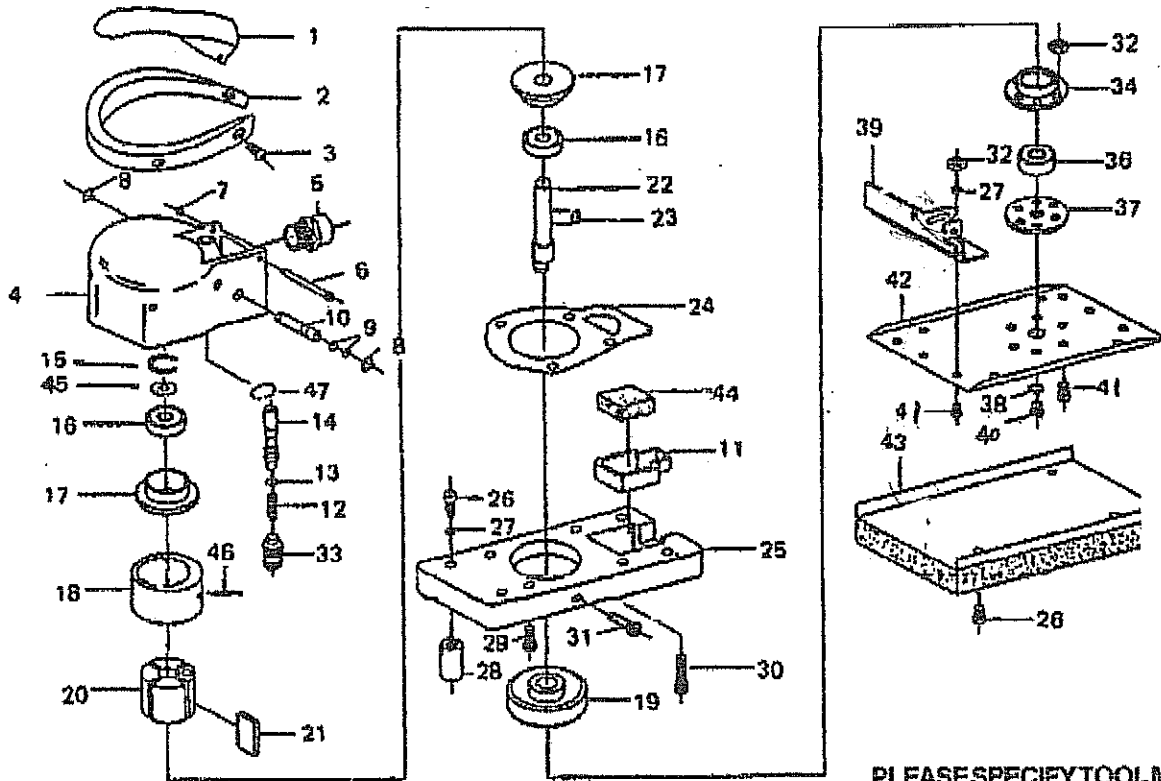


# ORBITAL "JITTERBUG" SANDER

PN 400.011  
8,000 RPM



PLEASE SPECIFY TOOL MODEL NUMBER  
WHEN ORDERING REPLACEMENT PARTS

PART NO.	DESCRIPTION	QTY	PART NO.	DESCRIPTION	QTY
866-01	LEVER	1	866-24	GASKET	1
866-02	RUBBER GRIP	1	866-25	BASE	1
866-03	GRIP SCREW	4	866-26	MOUNT SCREW	8
866-04	BODY	1	866-27	WASHER	10
866-05	INLET BUSHING	1	866-28	RUBBER MOUNT	4
866-06	LEVER PIN	1	866-29	CAP SCREW	2
866-07	RETAINING RING	1	866-30	CAP SCREW	2
866-08	RETAINING RING	2	866-31	LOCK SCREW	1
866-09	O-RING	3	866-32	NUT	12
866-10	REGULATOR	1	866-33	PLUG	1
866-11	DEFLECTOR	1	866-34	BEARING HOUSING	1
866-12	SPRING	1	866-36	BEARING	1
866-13	O-RING	1	866-37	BEARING PLATE	1
866-14	T.V. STEM	1	866-38	WASHER	1
866-15	RETAINING RING	1	866-39	PAPER CLAMP	2
866-16	BEARING	2	866-40	SCREW	1
866-17	END PLATE	2	866-41	SCREW	12
866-18	CYLINDER	1	866-42	SHOE PLATE	1
866-19	COUNTER BALANCE	1	866-43	SANDING PAD	1
866-20	ROTOR	1	866-44	MUFFLER	1
866-21	ROTOR BLADE	4	866-45	WAVE WASHER	1
866-22	ROTOR SHAFT	1	866-46	SPRING PIN	1
866-23	KEY	1	866-47	O-RING	1

## ACCESSORIES

F-14	IN-LINE AIR FILTER
L-1.0	AIR HOSE LUBRICATOR (1 OZ.)
L-14	IN-LINE LUBRICATOR (PLASTIC 1/4 OZ.)
L-14A	IN-LINE LUBRICATOR (ALUMINUM 1/4 OZ.)
LF-1.4	AIR HOSE LUBRICATOR / FILTER (1.4 OZ.)
R-11B	IN-LINE REGULATOR (BRASS)
8800	AIR MOTOR OIL (1 GALLON)
8800-1	AIR MOTOR OIL (1 OZ.)
8800-2	AIR MOTOR OIL (1 QUART)

## DESCO Mfg. Co., Inc.

30081 Comercio • Rancho Santa Margarita, CA 92688  
949.858.7400 • 949.858.9141 fax • 800.337.2648 toll free  
www.descomfg.com • info@descomfg.com